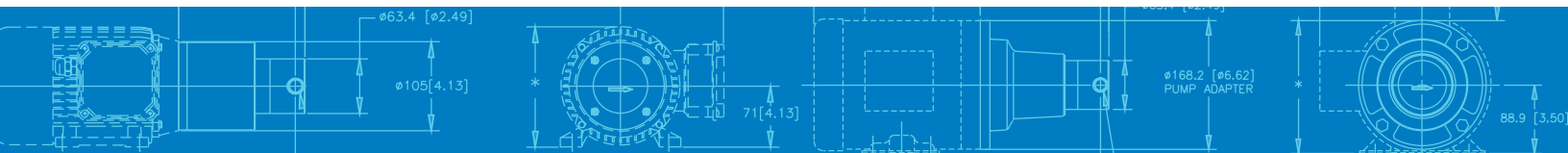




Series GB

MAGNETIC DRIVE GEAR PUMP

When you need a low-flow pump that delivers high-performance in a small package, Series GB is an excellent solution. Series GB pumps provide precise, pulseless flow for a wide range of fluid temperatures. Featuring Micropump's suction shoe design, the pumps self-compensate for wear ensuring near zero slip and a long pump life.



SUCTION SHOE STYLE PUMPS

Suction shoe style pumps self-compensate for wear, are excellent for continuous duty processes, and offer improved efficiencies when pumping at higher pressures

SMALL SIZE

The miniature package size of the Series GB is easily incorporated into the design of many systems.

FLUID PATH INTEGRITY

The magnetic drive and static o-ring seal(s) keep the fluid securely inside the pump and potential contaminants out.

SMOOTH PULSELESS DELIVERY

Positive displacement, helical gears provide consistent fluid delivery in continuous processes.

CHEMICALLY RESISTANT

Series GB has a long-life in aggressive environments.

EASY TO SERVICE

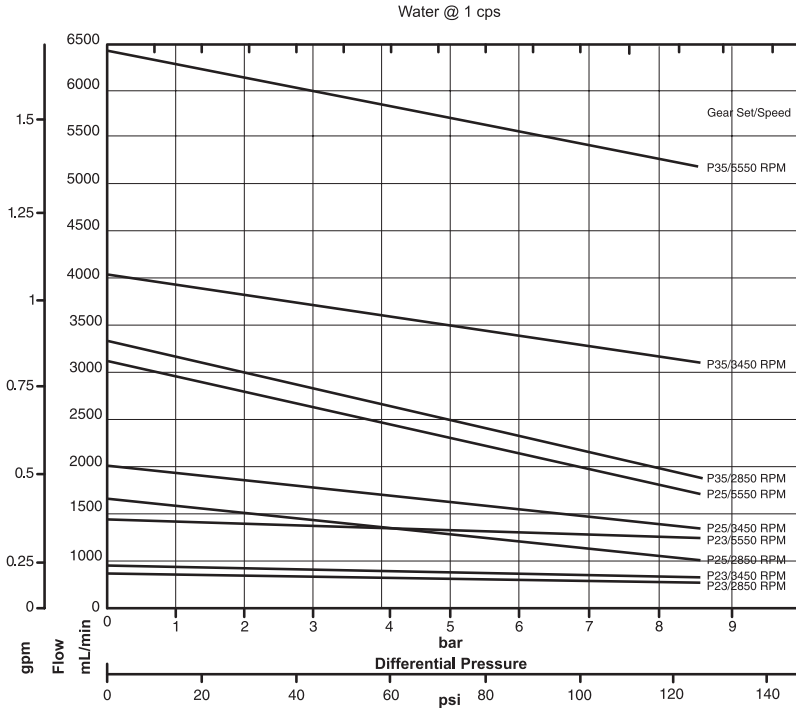
Series GB pumps are easy to service using a Micropump service kit and simple hand tools.

WIDE RANGE OF CONFIGURATIONS

Micropump's designs offer a wide range of configurations to meet your more challenging requirements including:

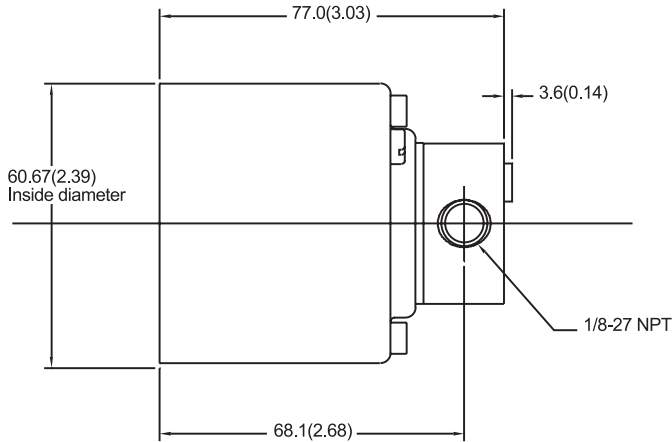
- ▶ Two and three gear versions
- ▶ Multiple gear, body, and o-ring materials
- ▶ Optional internal bypass
- ▶ Optional high-torque magnets
- ▶ NEMA, IEC, and Micropump drive mounts

PUMP PERFORMANCE



DIMENSIONS

A MOUNT



Units: mm(in). Nominal dimensions shown.

MICROPUMP®

Micropump, Inc | A Unit of IDEX Corp. | 1402 NE 136th Avenue • Vancouver, WA 98684
 T 800.671.6269 • +1.360.253.2008 | F +1.360.253.8294 | info.micropump@idexcorp.com | www.micropump.com

ACTUAL PERFORMANCE MAY VARY. Specifications are subject to change without notice. ©2016 Micropump, Inc., A Unit of IDEX Corporation. Micropump and the Micropump logo are registered trademarks of Micropump, Inc.

REV. 5/17

PERFORMANCE SUMMARY

FLOW RATE AT 5500 RPM

- ▶ 6.4 L/min (1.70 US gpm)

DISPLACEMENT

- ▶ Gear Set P23 P25 P35
- ▶ mL/rev 0.26 0.58 1.17
- ▶ US gal/1000 rev 0.07 0.15 0.31

MAXIMUM RATED DIFFERENTIAL PRESSURE

- ▶ 8.6 Bar (125 psi)

MAXIMUM RATED SYSTEM PRESSURE

- ▶ 21 Bar (300 psi)

TEMPERATURE RANGE

- ▶ -46 to 177 °C (-50 to 351 °F)

VISCOSITY RANGE

- ▶ 0.5 to 1500 cps

MAXIMUM SPEED

- ▶ 5500 rpm

PUMP CONSTRUCTION

- ▶ Magnetic drive gear pump
- ▶ Suction shoe style
- ▶ Two or three helical gears
- ▶ Stationary shafts
- ▶ O-ring seal

WETTED MATERIALS

BASE MATERIAL

- ▶ 316 stainless steel
- ▶ Titanium
- ▶ Alloy 276
- ▶ Alloy 20

GEARS

- ▶ PEEK
- ▶ PPS

STATIC SEALS

- ▶ FKM
- ▶ TEV
- ▶ FFKM
- ▶ EP

MAGNETS

DRIVEN

- ▶ Rare earth
- ▶ Ferrite

DRIVING

- ▶ Ferrite
- ▶ Electromagnetic
- ▶ Rare earth

PRODUCT ENHANCEMENTS

- ▶ Internal Bypass
- ▶ 1/4 - 18 NPT Side Ports